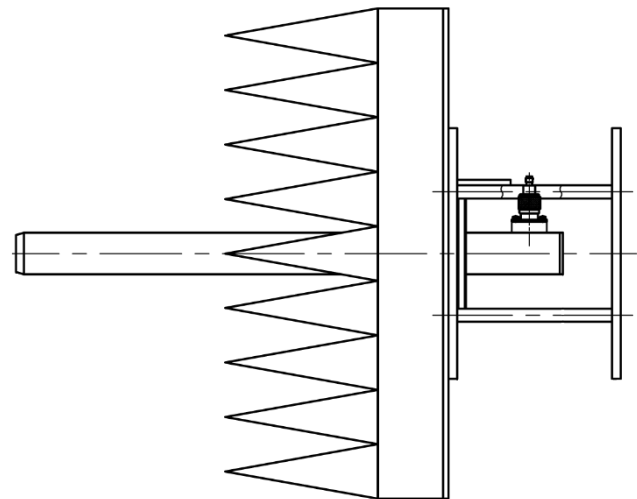


Open-Ended Waveguide Probes

Open-ended waveguide probes are ideally suited for near-field measurements, these probes are used to sample the radiated electromagnetic field of an antenna under test with lower interference between the probe and AUT.

They are designed for excellent VSWR, long-term stability and outstanding repeatability.



Features

- High linear polarization purity
- Low loss and high efficiency
- Tapered ends to minimize diffraction effects
- Rectangular open-ended waveguide
- High reliability mechanical design

Customization services

- Mounting option
- Removable absorber plate unit
- Precision polarization alignment unit
- Length of probe
- RF interface
- Coating color

Solution for

- Near-field antenna measurements
- Calibration and polarization reference

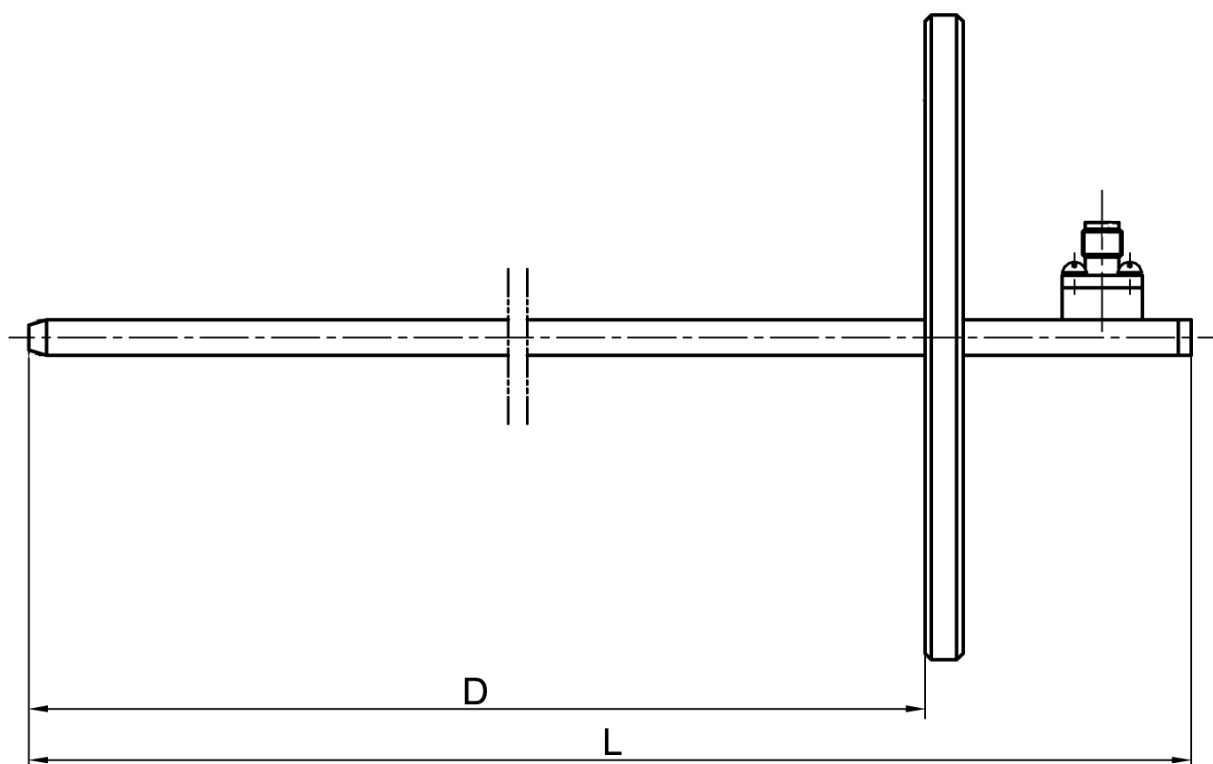
Applications

- Satellite antenna testing
- General antenna testing
- Radome testing
- Wireless communication

Typical product specifications

Open-ended waveguide probes (length A)

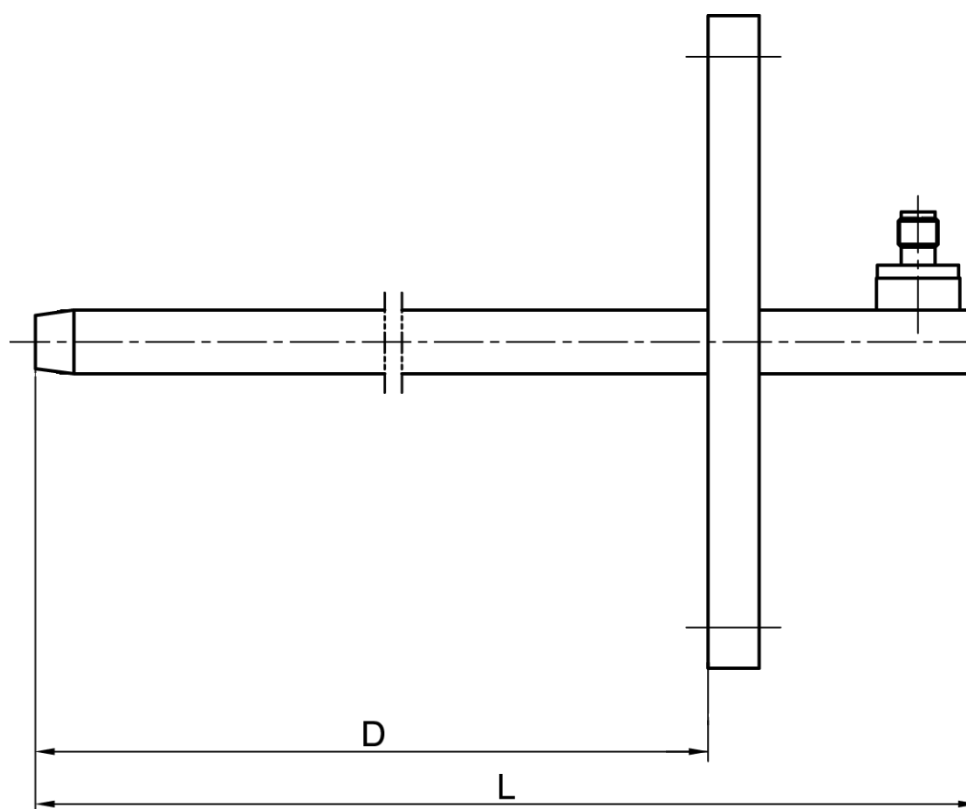
Model	Freq. range (GHz)	VSWR	RF interface	Coating color	Dimensions (mm)	
					D	L
ANTP01-0006N-X-111	0.49-0.75	≤ 2.2	N Female	Grey	815	1047
ANTP01-0009N-X-111	0.75-1.15	≤ 2.2	N Female	Grey	815	994
ANTP01-0012N-X-111	0.96-1.46	≤ 2.2	N Female	Grey	930	1140
ANTP01-0014N-X-111	1.13-1.73	≤ 2.2	N Female	Grey	815	959
ANTP01-0022N-X-111	1.72-2.61	≤ 2.2	N Female	Grey	610	726
ANTP01-0032N-X-111	2.60-3.95	≤ 2.2	N Female	Grey	405	502
ANTP01-0048N-X-111	3.95-5.85	≤ 2.2	N Female	Grey	330	420
ANTP01-0070N-X-111	5.38-8.20	≤ 2.2	N Female	Grey	330	410
ANTP01-0084N-X-111	6.57-9.99	≤ 2.2	N Female	Grey	280	334
ANTP01-0100S-X-111	8.20-12.5	≤ 2.2	SMA Female	Grey	280	334
ANTP01-0140S-X-111	11.9-18.0	≤ 2.2	SMA Female	Grey	280	322
ANTP01-0220K-X-211	17.6-26.7	≤ 2.2	2.92mm Female	Grey	280	320
ANTP01-0260K-X-211	21.7-33.0	≤ 2.2	2.92mm Female	Grey	280	320
ANTP01-0320K-X-211	26.5-40.0	≤ 2.2	2.92mm Female	Grey	280	321



Typical product specifications

Open-ended waveguide probes (length B)

Model	Freq. range (GHz)	VSWR	RF interface	Coating color	Dimensions (mm)	
					D	L
ANTP03-0009N-X-111	0.75-1.15	≤ 2.2	N Female	Grey	799	977
ANTP03-0014N-X-111	1.13-1.73	≤ 2.2	N Female	Grey	801	945
ANTP03-0022N-X-111	1.72-2.61	≤ 2.2	N Female	Grey	523	639
ANTP03-0032N-X-111	2.60-3.95	≤ 2.2	N Female	Grey	348	445
ANTP03-0048N-X-111	3.94-5.85	≤ 2.2	N Female	Grey	221	311
ANTP03-0070N-X-111	5.38-8.20	≤ 2.2	N Female	Grey	195	276
ANTP03-0100S-X-111	8.20-12.5	≤ 2.2	SMA Female	Grey	144	198
ANTP03-0140S-X-111	11.9-18.0	≤ 2.2	SMA Female	Grey	144	186
ANTP03-0220K-X-211	17.6-26.7	≤ 2.2	2.92mm Female	Grey	147	188
ANTP03-0320K-X-211	26.5-40.0	≤ 2.2	2.92mm Female	Grey	147	188



Typical product specifications

Open-ended waveguide probe assemblies

Model	Freq. range (GHz)	VSWR	RF interface	Coating color	Dimensions (mm)		
					D	L	W=H
ANTPA1-0006N-X-111	0.49-0.75	≤ 2.2	N Female	Grey	815	1047	600
ANTPA1-0009N-X-111	0.75-1.15	≤ 2.2	N Female	Grey	815	994	600
ANTPA1-0014N-X-111	1.13-1.73	≤ 2.2	N Female	Grey	815	957	600
ANTPA1-0022N-X-111	1.72-2.61	≤ 2.2	N Female	Grey	610	726	600
ANTPA1-0032N-X-111	2.60-3.95	≤ 2.2	N Female	Grey	405	502	500
ANTPA1-0048N-X-111	3.95-5.85	≤ 2.2	N Female	Grey	330	420	500
ANTPA1-0070N-X-111	5.38-8.20	≤ 2.2	N Female	Grey	330	410	500
ANTPA1-0100S-X-111	8.20-12.5	≤ 2.2	SMA Female	Grey	280	334	500
ANTPA1-0140S-X-111	11.9-18.0	≤ 2.2	SMA Female	Grey	280	322	500
ANTPA1-0220K-X-211	17.6-26.7	≤ 2.2	2.92mm Female	Grey	280	320	500
ANTPA1-0320K-X-211	26.5-40.0	≤ 2.2	2.92mm Female	Grey	280	321	500

